



NVONICS BY
ASU

AVIATION SPECIALTIES UNLIMITED, INC.
+1.208.426.8117 | WWW.ASU-NVG.COM

NIGHT VISION PRODUCTS



AVIATION

Military-Grade AN/AVS-9 White Phosphor



AVIATION SPECIALTIES UNLIMITED, INC.
+1.208.426.8117 | WWW.ASU-NVG.COM

The military-grade GEN III white phosphor AN/AVS-9 is the most advanced TSO aviation night vision goggle on the market. The improved performance provides the **highest image clarity** and **best low-light response** available.



FEATURES & BENEFITS

- › Enhanced image clarity and quality for increased depth perception
- › Improved low-light performance
- › Exceptional high-light performance due to auto-gating
- › Fully compatible with aircraft NVIS lighting systems
- › FAA TSO C164a approved & EASA approved
- › Fully compliant with RTCA DO-275 (Minimum operational performance standards for integrated night vision imaging system equipment)
- › TSO approved, Aeronox® Mount and Battery Pack available for aviation standard flight helmets

PRODUCT IN USE



SPECIFICATIONS – MILITARY-GRADE WHITE PHOSPHOR AN/AVS-9



Optics	Magnification	1x	
	Field of View (FOV)	40 deg	
	Objective Lens	27 mm (1.1 in)	
	Interpupillary Adjustment	51 - 72 mm (1 - 2.8 in)	
	Eye Relief	25 mm (1.0 in)	
	Diopter Adjustment	+2 to -6	
*TSO kits available	9S1670 BFWA 9S1870 BFWA 9S2070 BFWA 9S1005 BUWA	TSO 1600 FOM, White Phosphor, Autogated TSO 1800 FOM, White Phosphor, Autogated TSO 2000 FOM, White Phosphor, Autogated TSO Minimum FOM: 2376, White Phosphor, Autogated	
Power	Power Source	Aeronox® Battery Pack with 4AA batteries (2AA primary, 2AA alternate)	
	Warning Indicator	Red LED activates on mount at approximately 30 minutes battery life remaining	
Physical Characteristics	Size	11.6 cm L x 13 cm W x 8.9 cm H (4.6 in L x 5.1 in W x 3.5 in H)	
	Weight (Binocular)	535 grams	
	Vertical Adjustment	25 mm Min (1 in)	
	Fore/Aft Adjustment	27 mm Min (1.1 in)	
	Tilt Adjustment	10 deg Min	
	Objective Adjustment	3/4 turn (338 deg)	
	Automatic Breakaway	11-15 g	
	Mounts	Aeronox® Mount and other helmet mount adapters available	
	Battery Pack	Aeronox ® Battery Pack with counterweights	
Warranty	Tube - 2 YEARS System - 1 YEAR		
Standard Equipment	› Goggle with Class B Lens	› Aeronox® Helmet Mount	› Air Worthiness Log
	› Operation Manual	› Lens Paper	› Lens Cap Assembly
	› Soft Carry Case	› Neck Cord	
	› Aeronox® Battery Pack		
Available Accessories	› Spare Battery	› Mount Assembly, Quick Don	› Mount Kit, Alpha Helmet
	› Case Assembly	› Mount Assembly, SPH-5CG	› Clip-on Power Supply
	› Filter, Daylight Training	› Mount Assembly, Banana (HGU/55P)	› Spare Parts Kit
	› Lens Brush	› Mount Assembly, Standard V1A	› Low Profile Battery Pack Mounting Kit
› Low Profile Battery Pack	› Training, Operator and Maintenance	› Shipping and Storage Case	
	› Neck Cord	› Battery Cartridges	

Specifications subject to change without notice.

This information has been released into the public domain in accordance with International Traffic in Arms Regulations (ITAR) 22 CFR 120.11(a)(6). Export of the commodities described herein is strictly prohibited without a valid export license issued by the U.S. Department of State, Office of Defense Trade Controls, prescribed in the International Traffic in Arms Regulation (ITAR), Title 22, Code of Federal Regulations, Parts 120 130. ASU Proprietary. By accepting this data sheet you agree to hold this information in strictest confidence.
The appearance of U.S. Department of Defense (DoD) visual information does not imply or constitute DoD endorsement.

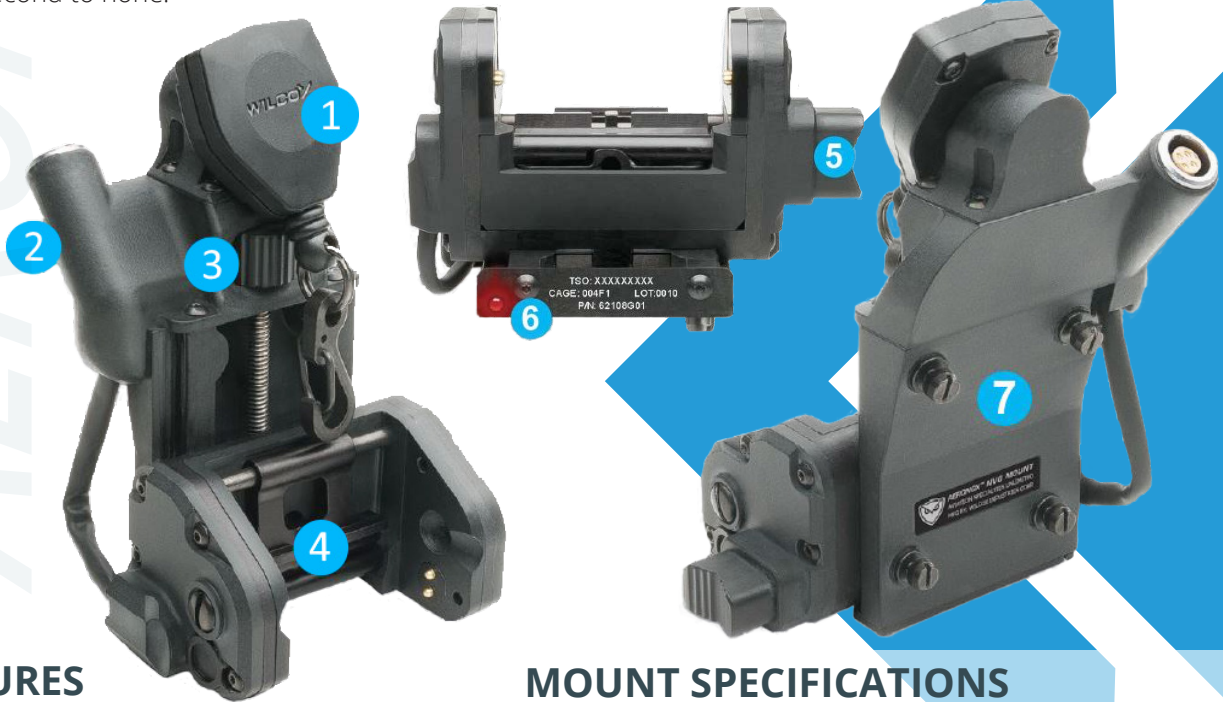
AERONOX® NVG Mount



AVIATION SPECIALTIES UNLIMITED, INC.
+1.208.426.8117 | WWW.ASU-NVG.COM



The AERONOX® NVG Mount sets the standard in aviation NVG mounting. This **lightweight** reinforced system provides reliable operation under the toughest conditions. Its modular design is **easily repairable by ASU or ASU certified repair station**, which further reduces costs over the product's lifetime. Compatible with a variety of both flight and ground style helmets, this mount is second to none.



FEATURES

1. Retractable lanyard with breakaway feature prevents loss of NVG.
2. Low profile LEMO connector accepts AERONOX / legacy power supplies.
3. Increased vertical adjustment to accommodate various helmet styles.
4. Reinforced carriage prevents critical failure during strenuous operation.
5. NVG release button allows goggle to be stowed while not in use.
6. LBI (low battery indicator) alerts user of low battery life from power supply.
7. QD/universal interface provides secure attachment to air and ground helmets.

MOUNT SPECIFICATIONS

Weight (with lanyard):	103 g
Material:	High Strength Polymer / Aluminum
Dimensions:	2.3" L x 2.7" W x 3.8" H
Vertical Adjustment:	1.3"
Available Colors:	Black
Helmet Compatibility:	Gentex, Alpha Eagle, and more
NVG Compatibility:	F4949, M949, AN/AVS 6/9, GPNVG-18, AN/PSQ-36, SENTINEL, E-3
Warranty:	1 Year

TSO-C164a APPROVED AND MIL-SPEC / DEFSTAN TESTED FOR DO-160

Export of this product is regulated by U.S. DOC, Bureau of Industry and Security, EAR, Title 15, Chapter VII, Subchapter C, Parts 730-774

PART NUMBER	DESCRIPTION
9M1000-1-T-B 11NOV2021	TSO AERONOX MOUNT

MANUFACTURED BY:
WILCOX®



AERONOX® Battery Pack



AVIATION SPECIALTIES UNLIMITED, INC.
+1.208.426.8117 | WWW.ASU-NVG.COM

The AERONOX® Battery Pack provides the most advanced solution to powering aviation night vision systems. The **low profile, lightweight design** is perfect for reducing user strain over extended duration. Made entirely of reinforced molded polymer, the **fully-sealed, waterproof pack** is strong enough to withstand the toughest mission environments. Should damage occur, it's modular design is **repairable by ASU or ASU certified repair station**, further extending the product's lifetime.



FEATURES

1. Recessed toggle switch utilizes "ON-OFF-ON" modes.
2. Metal latches provide fast and secure access to battery channels.
3. Molded mounting points allow for attachment of included counter weights.
4. LEMO connector provides reliable power to AERONOX / legacy NVG mounts.
5. Drop in battery channels eliminate the need for battery trays.
6. Compatible with hook and loop as well as dovetail mounting interfaces.

BATTERY PACK SPECIFICATIONS

Weight:	131 g
Material:	High Strength Polymer / Aluminum
Dimensions:	3.5" L x 1.0" W x 3.0" H
Power Source:	AA
Weight of 4-AA Batteries:	95g
Power Requirement/Capacity:	(2) Two AA / (4) Four AA
Weight of Counter Weights:	58g, 95g
Warranty:	1 Year

TSO-C164a APPROVED AND MIL-SPEC / DEFSTAN TESTED FOR DO-160

Export of this product is regulated by U.S. DOC, Bureau of Industry and Security, EAR, Title 15, Chapter VII, Subchapter C, Parts 730-774

PART NUMBER		DESCRIPTION
9M1000-2-TB		TSO AERONOX BATTERY PACK
11NOV2021		

MANUFACTURED BY:
WILCOX®



A large, stylized blue graphic in the top right corner, consisting of overlapping geometric shapes that resemble a double-headed arrow or a series of nested chevrons pointing towards the center.

TACTICAL

DIGITAL AN/PVS-14

Night Vision Monocular



AVIATION SPECIALTIES UNLIMITED, INC.
+1.208.426.8117 | WWW.ASU-NVG.COM

The PVS-14 Digital night vision monocular is an upgraded AN/PVS-14 with **intuitive one-handed operation** of on/off, IR, and gain controls as well as **reduced weight** and **extended battery life**. The optional White Phosphor Gen III image intensification tube offers enhanced image clarity for excellent visual acuity and increased FOM for improved low-light performance. Available autogating improves performance in high-light environments.



FEATURES

- ▶ One-hand on/off, IR, and gain control
- ▶ Compact and safer to use
- ▶ Lighter to reduce neck and head fatigue
- ▶ Built-in infrared LED for low-light environments
- ▶ Noncorrosive aluminum battery compartment, battery cap, and nickel springs
- ▶ Submersible to 1 m for 30 min.
- ▶ Rugged black-nickel battery cap reduces IR signature
- ▶ Digital retrofit available to upgrade standard PVS-14
- ▶ Head, helmet, and weapon mounts available

PRODUCT IN USE



NAME
DIGITAL PVS-14

DESCRIPTION
DIGITAL NIGHT VISION MONOCULAR



SPECIFICATIONS

DIGITAL AN/PVS-14



Optics	Magnification	1x
	Field of View (FOV)	40°
	Objective Lens	27 mm; (1.1 in)
	Minimum Focus Distance	25 cm (9.8 in)
	Eye Relief	25 mm (1 in)
	Diaopter Adjustment	+2 to -6
Power	Power Source	1 AA Battery
	Battery Life	~40 hours at room temperature
Physical Characteristics	Size	11.4 cm L x 5.1 cm W x 5.7 cm H (4.5 in L x 2 in W x 2.2 in H)
	Weight (Monocular)	290 g with battery (.6 lbs)
	Color	Black
	Submersible	1 m for 30 min.
	Mounts	Head and Helmet Mount Adapter Weapon Mount Adapter for Picatinny Rail (MIL-STD-1913/STANAG 2324)
	Warranty	Housing and tube
Standard Equipment	<ul style="list-style-type: none"> › Monocular › Operation Manual › Soft Carry Case › Battery › Demist Shield Assembly › Eye Guard 	<ul style="list-style-type: none"> › Sacrificial Window Assembly › Lens Paper › Shoulder Strap › Retainer Cord › Head Mount Assembly › Weapon & Head/Helmet Mount Adapters
	Available Accessories	<ul style="list-style-type: none"> › Spare Battery › 3x Afocal Lens Assembly › 5x Afocal Lens Assembly › Spare Parts Kit › Head Mount Assembly › Lens Brush

Specifications subject to change without notice.

This information has been released into the public domain in accordance with International Traffic in Arms Regulations (ITAR) 22 CFR 120.11(a)(6). Export of the commodities described herein is strictly prohibited without a valid export license issued by the U.S. Department of State, Office of Defense Trade Controls, prescribed in the International Traffic in Arms Regulation (ITAR), Title 22, Code of Federal Regulations, Parts 120-130. ASU Proprietary. By accepting this data sheet you agree to hold this information in strictest confidence.

AN/PVS-14

Night Vision Monocular



AVIATION SPECIALTIES UNLIMITED, INC.
+1.208.426.8117 | WWW.ASU-NVG.COM

The AN/PVS-14 night vision device uses a single military-grade image intensification tube. The optional White Phosphor Gen III tube, offers **enhanced image clarity** for excellent visual acuity and increased FOM for **improved low-light performance**. The PVS-14 is available with autogating for greater high-light performance. The monocular has active night vision using a built-in infrared LED for low-light environments.



FEATURES

- Hands-free or one-hand operation
- Simple on/off, IR, and gain control
- Built-in infrared LED for low-light environments
- Compact and lightweight, reducing neck and head fatigue
- Head, helmet, and weapon mounts available
- Self-contained system operating on one AA battery
- Low battery indicator in the eyepiece

PRODUCT IN USE



NAME
AN/PVS-14

DESCRIPTION
NIGHT VISION MONOCULAR



SPECIFICATIONS

AN/PVS-14



Optics	Magnification	1x
	Field of View (FOV)	40°
	Objective Lens	27 mm (1.1 in)
	Minimum Focus Distance	25 cm (9.8 in)
	Eye Relief	25 mm (1 in)
	Diopter Adjustment	+2 to -6
Power	Power Source	1 AA Battery
	Battery Life	~40 hours at room temperature
Physical Characteristics	Size	11.4 cm L x 5.1 cm W x 5.6 cm (4.5 in L x 2 in W x 2.2 in H)
	Weight (Monocular)	339 g with battery (.75 lbs)
	Color	Black
	Mounts	Head and Helmet Mount Adapter Weapon Mount Adapter for Picatinny Rail (MIL-STD-1913/STANAG 2324)
Warranty	Housing and tube	1 Year
Standard Equipment	<ul style="list-style-type: none"> › Monocular › Operation Manual › Soft Carry Case › Battery (U.S. Only) › Demist Shield Assembly › Eyecup 	<ul style="list-style-type: none"> › Sacrificial Window Assembly › Lens Paper › Shoulder Strap › Retainer Cord › Head Mount Assembly
	<ul style="list-style-type: none"> › Spare Battery › 3x Afocal Lens Assembly › 5x Afocal Lens Assembly › Spare Parts Kit, M914 › Lens Brush 	<ul style="list-style-type: none"> › Weapon Mount Adapter › Shipping Case › Head/Helmet Mount Adapter › Helmet Mount › Training, Operator and Maintenance

Specifications subject to change without notice.

This information has been released into the public domain in accordance with International Traffic in Arms Regulations (ITAR) 22 CFR 120.11(a)(6). Export of the commodities described herein is strictly prohibited without a valid export license issued by the U.S. Department of State, Office of Defense Trade Controls, prescribed in the International Traffic in Arms Regulation (ITAR), Title 22, Code of Federal Regulations, Parts 120-130. ASU Proprietary. By accepting this data sheet you agree to hold this information in strictest confidence.

AN/PVS-14

Consumable Spares & Accessory Kits



AVIATION SPECIALTIES UNLIMITED, INC.
+1.208.426.8117 | WWW.ASU-NVG.COM

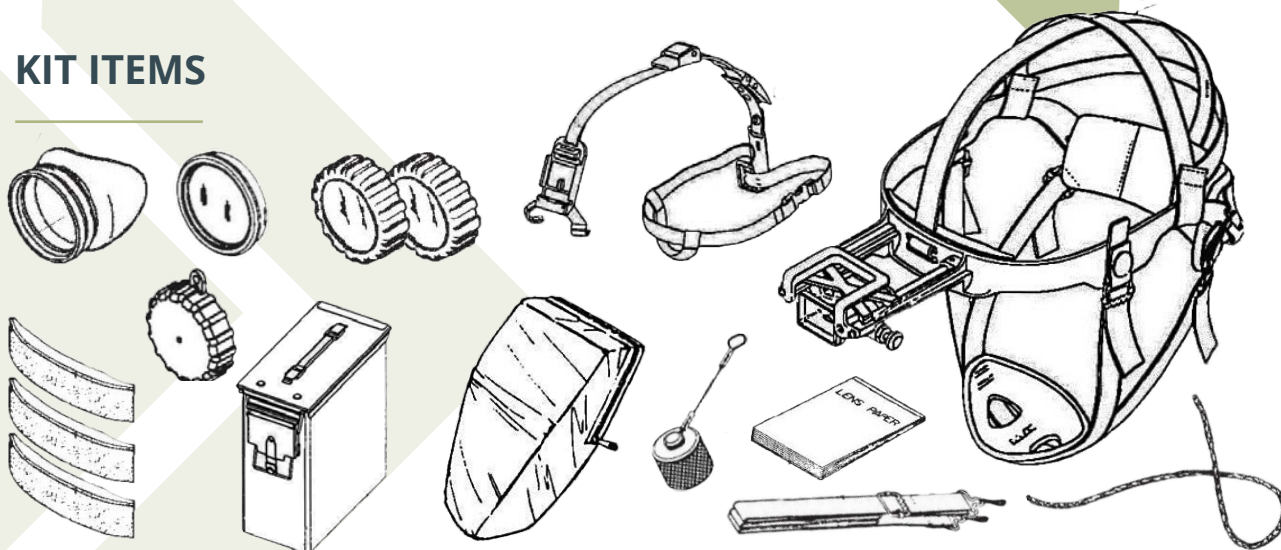
The AN/PVS-14 night vision device (NVD) Consumable Spare Kits and Accessories Kits are a convenient way to keep your AN/PVS-14's mission ready. The kits **streamline inventory management, improve your ability to service NVDs and increase your responsiveness.** The kits also **simplify procurement and disposition.**

KIT BENEFITS

- ▶ Simplify procurement and disposition
- ▶ Streamline inventory management
- ▶ Increase responsiveness
- ▶ Improve service level



KIT ITEMS



NAME
AN/PVS-14 CONSUMABLE SPARES KIT
AN/PVS-14 STANDARD ACCESSORIES KIT

DESCRIPTION
NIGHT VISION DEVICE CONSUMABLE SPARES
NIGHT VISION DEVICE STANDARD ACCESSORIES



AN/PVS-14 KITS



	NOMENCLATURE	PART NUMBER	QTY
PVS-14 Consumable Spare Parts Kit	Eye Cup	A3144422	1
	Demist Shield	A3256353	1
	Lens Cover, Objective	A3144318	1
	Sacrificial Window	A3144264	2
	Brow Pad - Large	A3144436	1
	Brow Pad - Medium	A3144435	1
	Brow Pad - Thin	A3144280	1
	Lens Paper	266699	1
	Neck Cord	A3144306	1
	Shoulder Strap	A3144267	1

	NOMENCLATURE	PART NUMBER	QTY
PVS-14 Standard Accessory Kit	Eye Cup	A3144422	1
	Demist Shield	A3256353	1
	Lens Cover, Objective	A3144318	1
	Sacrificial Window	A3144264	2
	Battery Cap	A3297312	1
	Neck Cord	A3144306	1
	Head Mount Assembly	A3144268	1
	Soft Carrying Case	A3187392	1
	Hard Shipping/Storage Case	A3264350	1
	Shoulder Strap	A3144267	1
	Brow Pad - Large	A3144436	1
	Brow Pad - Medium	A3144435	1
	Brow Pad - Thin	A3144280	1
	Lens Paper	266699	1
	Head/Helmet Mount Adapter	A3256368	1

Specifications subject to change without notice.

Export of this product is regulated by U.S. Department of Commerce, Bureau of Industry and Security, EAR, Title 15, Chapter VII, Subchapter C, Parts 730-774

AN/PVS-7

Night Vision Device



AVIATION SPECIALTIES UNLIMITED, INC.
+1.208.426.8117 | WWW.ASU-NVG.COM

The AN/PVS-7 night vision device uses a single military-grade image intensification tube. The optional White Phosphor Gen III tube offers **enhanced image clarity** for excellent visual acuity and increased FOM for **improved low-light performance**. The PVS-7 is available with autogating for greater high-light performance. The goggles have active night vision using a built-in infrared LED for low-light environments.



FEATURES

- › Hands-free or one-handed operation
- › High-light cut-off tube protection
- › Integrated IR illuminator
- › Automatic brightness control
- › Head or helmet mountable
- › Automatic shut off in up position (head mounted)
- › Operates on two AA batteries, low-battery indicator in eyepiece

PRODUCT IN USE



NAME
AN/PVS-7

DESCRIPTION
NIGHT VISION DEVICE



SPECIFICATIONS

AN/PVS-7



Optics	Magnification	1x
	Field of View (FOV)	40°
	Objective Lens	26 mm; (1.02 in)
	Minimum Focus Distance	25 cm (9.8 in)
	Eye Relief	15 mm (0.6 in)
	Diaopter Adjustment	+2 to -6
Power	Power Source	2 AA Batteries
	Battery Life	~40 hours at room temperature
Physical Characteristics	Size	14.1 cm L x 15.6 cm W x 7.9 cm (5.5 in L x 6 in W x 3.1 in H)
	Weight (Monocular)	650 g with mask assembly (1.4 lbs)
	Color	Black
	Mounts	Head and Helmet Mount Adapter
		Head Mount, Optional Helmet Mount
Warranty	Housing and tube	1 Year
Standard Equipment	<ul style="list-style-type: none"> › Goggle › Operation Manual › Soft Carry Case › Batteries › Demist Shield Assembly › Eyecups 	<ul style="list-style-type: none"> › Sacrificial Window Assembly › Lens Paper › Soulder Strap › Retainer Cord › Head Mount Assembly
	<ul style="list-style-type: none"> › Adapter Assembly, 7B to 7A › Adapter Kit, 5X Afocal, 7B › Batteries, Spare › Case, Shipping › Case Assembly, Packed › Compass › Lens Assembly, 162 mm › Lens Assembly, 108 mm › Lens Assembly, 3X Afocal › Lens Assembly, 5X Afocal › Lens Brush, LP1 	<ul style="list-style-type: none"> › Lens Cover Assembly, 75 mm › Mount Assembly, Helmet › Mount Assembly, 7B-SPH-5CG › Sacrificial Filter Assembly, 75 mm › Sacrificial Filter Assembly, 108 mm › Sacrificial Filter Assembly, 162 mm › Sacrificial Window › Spare Parts Kit, M961 › Spare Parts Kit, M963 › Spare Parts Kit, M966 › Tripod Adapter Assembly, (4X, 6X) › Training, Operator & Maintenance

Specifications subject to change without notice.

This information has been released into the public domain in accordance with International Traffic in Arms Regulations (ITAR) 22 CFR 120.11(a)(6). Export of the commodities described herein is strictly prohibited without a valid export license issued by the U.S. Department of State, Office of Defense Trade Controls, prescribed in the International Traffic in Arms Regulation (ITAR), Title 22, Code of Federal Regulations, Parts 120-130. ASU Proprietary. By accepting this data sheet you agree to hold this information in strictest confidence.

AN/PVS-7

Consumable Spares & Accessory Kits



AVIATION SPECIALTIES UNLIMITED, INC.
+1.208.426.8117 | WWW.ASU-NVG.COM

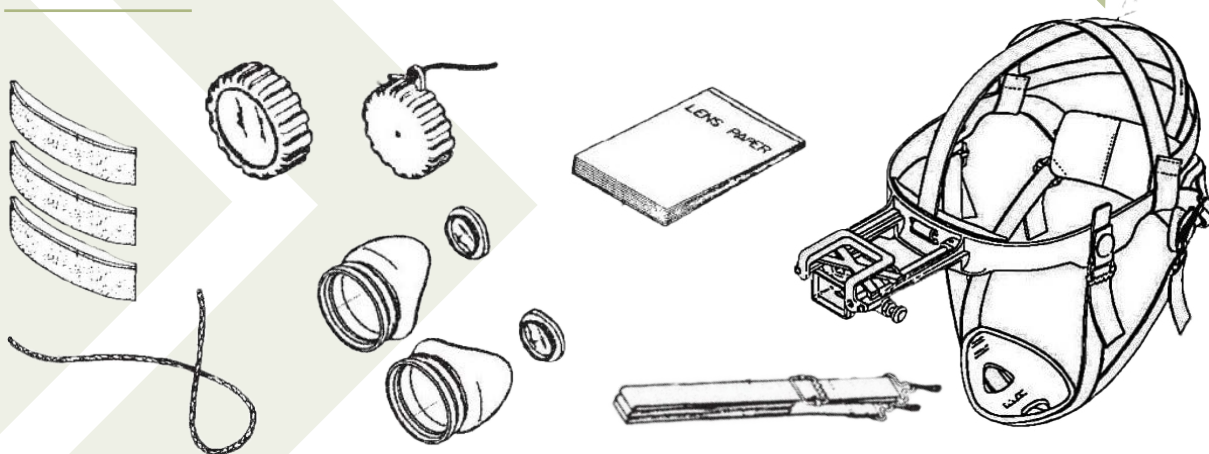
The AN/PVS-7 night vision device (NVD) Consumable Spare Kits and Accessories Kits are a convenient way to keep your AN/PVS-7's mission ready. The kits **streamline inventory management**, **improve your ability to service NVDs** and **increase your responsiveness**. The kits also **simplify procurement and disposition**.

KIT BENEFITS

- ▶ Simplify procurement and disposition
- ▶ Streamline inventory management
- ▶ Increase responsiveness
- ▶ Improve service level



KIT ITEMS



NAME |
AN/PVS-7 CONSUMABLE SPARES KIT |
AN/PVS-7 STANDARD ACCESSORY KIT |

DESCRIPTION |
NIGHT VISION DEVICE CONSUMABLE SPARE PARTS KIT |
NIGHT VISION DEVICE STANDARD ACCESSORY KIT



AN/PVS-7 KITS

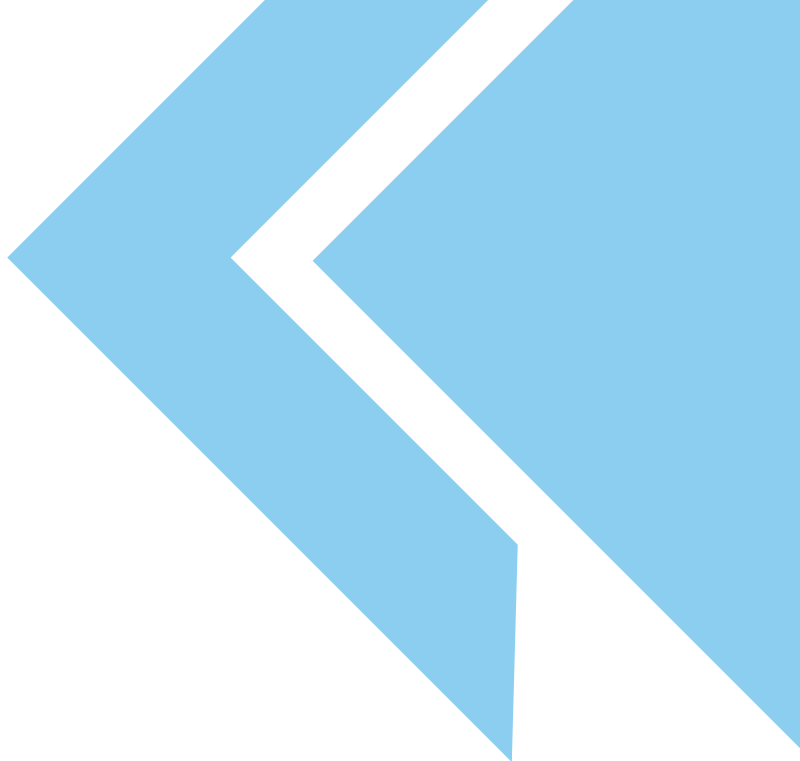


	NOMENCLATURE	PART NUMBER	QTY
PVS-7 Consumable Spare Parts Kit	Brow Pad - Large	A3144436	1
	Brow Pad - Medium	A3144435	1
	Brow Pad - Thin	A3144280	1
	Eye Cup	A3144422	2
	Demist Shield	A3144263	1
	Sacrificial Window	A3144264	2
	Lens Cap	A3144318	1
	Lens Paper	266699	1
	Neck Cord	A3144306	1
	Shoulder Strap	A3144267	1

	NOMENCLATURE	PART NUMBER	QTY
PVS-7 Standard Accessory Kit	Head Mount Assy	A3144268	1
	Brow Pad - Large	A3144436	1
	Brow Pad - Medium	A3144435	1
	Brow Pad - Thin	A3144280	1
	Eye Cup	A3144422	2
	Demist Shield	A3144263	1
	Sacrificial Window	A3144264	2
	Lens Cap	A3144318	1
	Lens Paper	266699	1
	Neck Cord	A3144306	1
	Shoulder Strap	A3144267	1
	Soft Carrying Case	A3187392	1
	Hard Shipping / Storage Case	A3264350	1

Specifications subject to change without notice.

Export of this product is regulated by U.S. Department of Commerce, Bureau of Industry and Security, EAR, Title 15, Chapter VII, Subchapter C, Parts 730-774



NVG SERVICE & MAINTENANCE

Compact Nitrogen Purge Kit



AVIATION SPECIALTIES UNLIMITED, INC.
 +1.208.426.8117 | WWW.ASU-NVG.COM

ASU's Compact Nitrogen Purge Kit is specially designed for the maintenance of ANVIS and PVS night vision goggles. The compact size, weight, and rugged case are ideal for portability and operation in the most austere environments.

ASU P/N: 9T1004



FEATURES

- Portable weight of 15 lbs.
- Quick and easy to assemble/disassemble
- Simple, hand-operated vacuum pump
- Leak detection capability
- Refillable, 24 cu. in. nitrogen tank included
- Includes adapters for both AN/AVS-6 and AN/AVS-9
- Rugged, heavy-duty carrying case
- Case dimensions 18" x 7" x 14"

PURGE IN ANY ENVIRONMENT

The ASU Purge Kit operates via an easy-to-operate manual vacuum pump, which requires no electricity. Weighing just 15 lbs., the purge kit contains all the equipment needed to purge night vision devices. Straight forward, detailed instructions enable fast and effective purging both at the maintenance facility and in the field. The kit includes a refillable 24 cu. in. dry nitrogen tank, equipped with a high-quality regulator. The kit includes adapters for AN/AVS-6 and AN/AVS-9.

Export of this product is regulated by U.S. Department of Commerce, Bureau of Industry and Security, EAR, Title 15, Chapter VII, Subchapter C, Parts 730-774



AVS-9 TOOL SET

Specialized Tool Set

This portable, efficient toolset provides night vision goggle maintainers with the tools necessary to disassemble and reassemble AN/AVS-6 and AN/AVS-9 NVGs.

ASU PART NUMBER: 9T1001



NV ONICS® BY
ASU

AVIATION SPECIALTIES UNLIMITED, INC.
+1.208.426.8117 | WWW.ASU-NVG.COM



FEATURES

- › Portable
- › Objective set screw torque driver
- › Eyepiece lock-ring torque driver
- › Objective lock-ring torque driver
- › Tube-retainer torque driver
- › Wrench 1/4 inch, modified
- › Spanner wrench
- › Custom-fit carrying case

DETAILED DESCRIPTION

This toolset will simplify the disassembly, reassembly, and preventative maintenance checks and services (PMCS) of AN/AVS-6 and AN/AVS-9 night vision goggles both in maintenance facilities and in the field. The torque drivers are factory calibrated to the torque values proven by goggle manufacturing processes to provide the best lock ring, purge valve, setscrew, and tube retainer ring tightness without over-stressing. Torque lock rings, purge valves, setscrews, and retainers with these torque drivers/adapters have proven to provide the best means for securing critical goggle parts while eliminating the breakage and thread stripping that is often associated with hand tightening.

Export of this product is regulated by U.S. Department of Commerce, Bureau of Industry and Security, EAR, Title 15, Chapter VII, Subchapter C, Parts 730-774

PVS-14 TOOL SET

Specialized Tool Set

This portable, efficient tool set designed to provide the night vision goggle (NVG) maintainer with the tools necessary to disassemble and reassemble AN/PVS-14 night vision devices.

ASU PART NUMBER: 14T1001



AVIATION SPECIALTIES UNLIMITED, INC.
+1.208.426.8117 | WWW.ASU-NVG.COM

INCLUDES

- › Torque screwdrivers
- › Torque adapter, eyepiece
- › Hex wrenches
- › Wrench, close focus stop ring
- › Tube retainer wrench
- › Spanner wrench
- › Rugged locking case
- › Operator's manual

DETAILS

This portable specialized tool set will simplify the disassembly and reassembly of the AN/PVS-14 monocular night vision devices both in maintenance facilities and in the field making preventive maintenance checks and services (PMCS) a breeze. The torque drivers in this tool set are factory calibrated to the torque values proven by goggle manufacturing processes to provide the best lock ring and tube retainer ring tightness without overstressing.

Learn more at www.ASU-NVG.com/test

Export of this product is regulated by U.S. Department of Commerce, Bureau of Industry and Security, EAR, Title 15, Chapter VII, Subchapter C, Parts 730-774



NVD TEST SET

NSN: 6625-01-498-4616



PART NO
ANV-126A-001

Hoffman Engineering LLC is the recognized leader in the design and manufacture of Night Vision Device test and maintenance equipment. The ANV-126A-001 is the test standard in the U.S. Armed Forces, Civil Aviation Operators and is in use in over 25 countries worldwide. Hoffman's ANV-126A-001 offers a 40 Degree FOV with enhanced visual acuity resolution levels for White and Green Phosphor. The ANV-126A-001 is manufactured to meet and exceed the everchanging customer requirements.

User Menu guide the maintainer through test sequences. The system provides pre-set test levels in addition to allowing for user to manually adjustable these levels. Input test levels for gain are pre-set to calculate system gain and gain ratios.

The ANV-126A-001 includes all the necessary electrical hardware and adapters to maintain your NVDs.

Note: Call Hoffman Engineering for adaptor options available for most Night Vision Devices

Specifications

Field of View	40 Degree, FOV
Resolution	Limiting resolution: USAF 1951 Patterns 1 through 6
System Gain	Direct reading of gain in real-time, including gain ratio between tubes
Tube Current	Displays of image tube current draw and test voltage
Collimation and Diopter	Accurately adjust collimation and diopter
High-Light Resolution	20 fc. test for gated and filmless tubes
Image Quality	Locate and size of image defects in three zonal areas
Packaging	Rugged, portable MIL-Spec case

Export of this product is subject to Export Administration Regulations (EAR), Title 15, CFR 730-774



VISION SYSTEM

NSN: 6625-01-498-4616



PART NO
HVS-126A

Hoffman Engineering is the recognized leader in the design and manufacture of Night Vision Device test and maintenance equipment. The HVS-126A is a computerized system to evaluate night vision monocular and binocular systems for image resolution and quality. It will quite simply transform the evaluation process to give fast and accurate results time after time, which until now has been a slow and laborious task for NVD maintenance personnel.

The HVS-126A uses a high-resolution video camera and lensing to capture live images generated by the Hoffman ANV-126A* test set through a night vision goggle/device. The images are analysed by the proprietary software running on a Microsoft Surface Tablet.

There is no requirement for the maintenance personnel to be dark adapted. The process may be carried out under normal lighting conditions. Test results are automatically calculated, displayed for Resolution at both high and low light settings, and Spot Defects (Blemishes). This is all achieved in a fraction of the time it would take to carry out this task manually, giving fast, accurate, consistent results. The HVS-126A significantly improves productivity and most of all, night vision user safety.

Key Functions

NVD Focus	Accurately achieve optimum diopter & infinity focus
Resolution	High and Low Light Resolution
Collimation	Accurately adjust system collimation
Diopter	Accurately adjust system diopter
Spot Defects (Blemishes)	Locate and size blemishes, emission points and image defects
Results	Display a summary of test results, and print test reports with captured images
Compatibility	Compatible with both White and Green phosphors

***The HVS-126A requires the ANV-126A Test Set**

Export of this product is subject to Export Administration Regulations (EAR), Title 15, CFR 730-774

